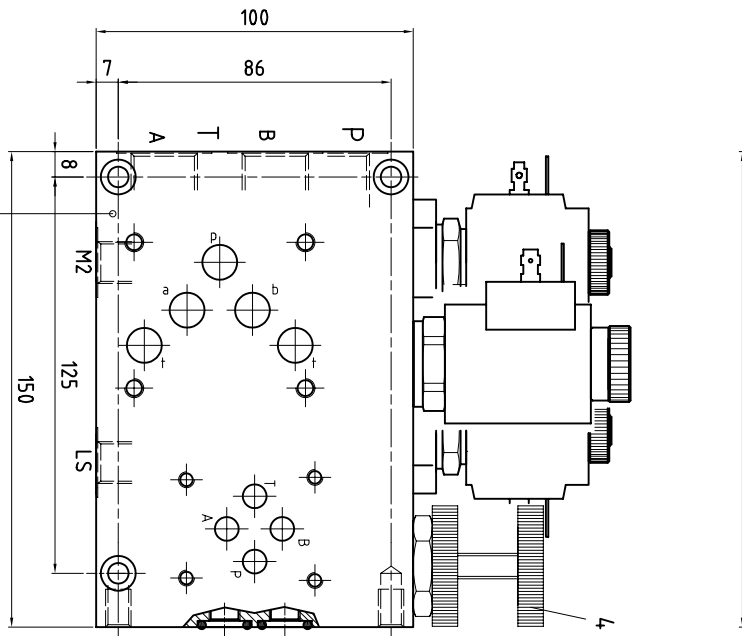


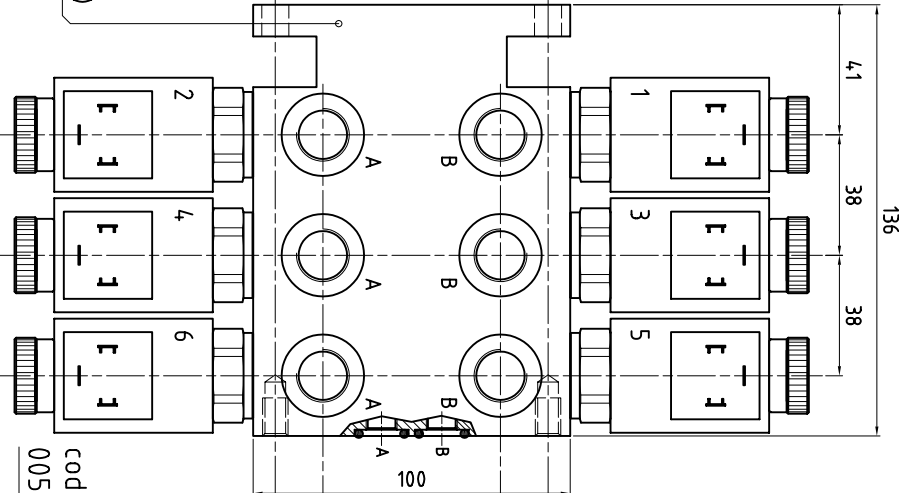
PORTS SIZE:
 P, P1, T, T2 = 3/4" bspp
 A1, B1 = 1/2" bspp
 M2, LS = 1/4" bspp
 A2, B2 = O-ring 2-112
 (close with plug DIN 908 1/8" bspp)

Material: Aluminium
 Max pressure: 250 bar
 Max Flow: 100 l/min (005.01.08.A0)
 30 l/min (005.01.08.B0 - 005.01.08.C0)

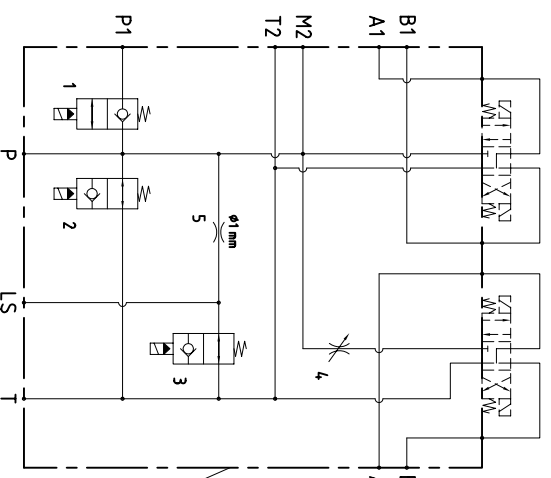
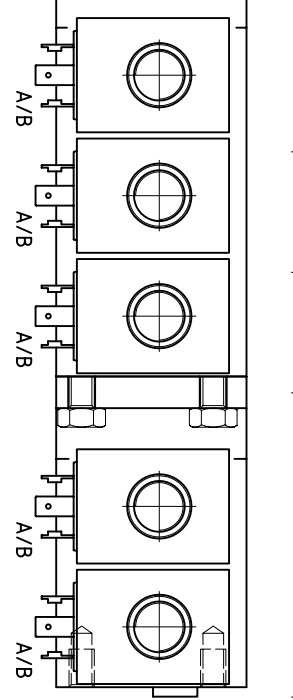
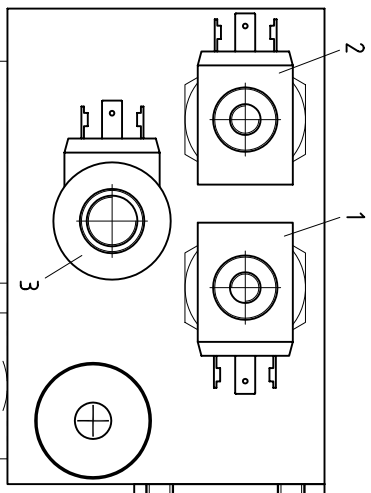
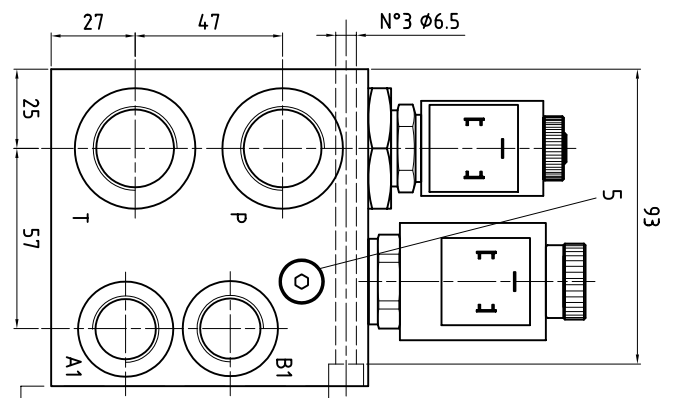
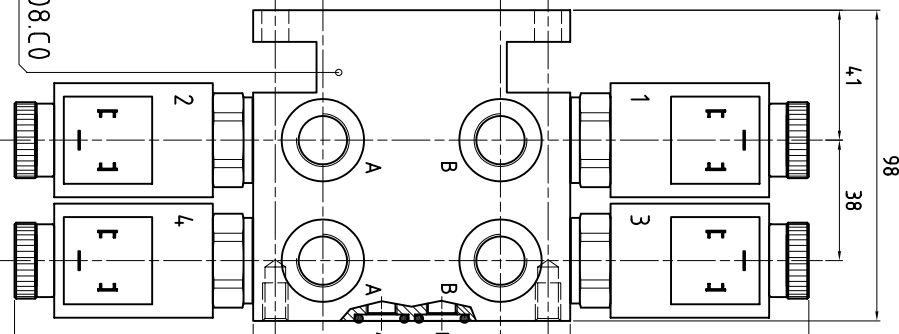


code:
005.01.08.A0

code:
005.01.08.B0



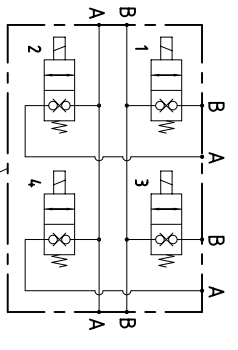
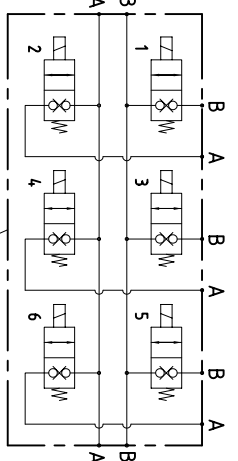
code:
005.01.08.C0



code:
005.01.08.A0

code:
005.01.08.B0

code:
005.01.08.C0



	DESIGNATORE	RC	APPR.	RC	005.01.08.00 GVS-MOD-005- B A-KR	NONRE FILE 005.01.08.-0.dwg	SCALA 1:1
	17/01/2008 <small>MODIFICAZIONE IN DATA 17/01/2008</small>	17/01/2008 <small>MODIFICAZIONE IN DATA 17/01/2008</small>	005.01.08.-0 <small>MODIFICAZIONE IN DATA 17/01/2008</small>	005.01.08.-0 <small>MODIFICAZIONE IN DATA 17/01/2008</small>			
GVS-MOD-005- B A-KR				005.01.08.-0			